

FULKRUM

Seating Products



Seating Excellence at Work

Ergonomic considerations namely, a ventilating mesh back, a fine-adjustable lumbar pad and a synchronized mechanism enables its user to work comfortably and efficiently from the desk over longer periods. The user becomes the center thus, fulcrum of workflow and information movement.

A Legacy in Design



2001

Fulkrum was born 18 years ago. It was first ever mesh chair and increased the company's visibility in the international market.

The first generation had a pair of distinctive glossy aluminium backbones that gave the seat a floating appearance too.



2005

The second generation was introduced with fixed loop armrests and a low backrest option as a basic entry model to expand the family range.



2019

The newest variant keeps Fulkrum updated to latest technical trends while maintaining its long lasting aesthetics. It features a weight-sensing auto tilt tension mechanism and adds seat depth adjustment.

The well loved Fulkrum is now available in many different variants to suit user needs and budgets.



FULKRUM

Synchron-Tilt Chairs

Headrest

Cushion Headrest, adjustable for 5cm in height. Headrest shells in black polypropylene (100% recyclable).

Backrest

A breathable polyester mesh suspension allows improved ventilation and transpiration, to provide exceptional thermal comfort. Backframe is moulded of resilient black polypropylene (100% recyclable).

Backbone

Backbone of die-cast aluminium (100% recyclable) in a luxurious polished finish (premium finish) or a glossy silver epoxy powder coating (standard finish).

Base

Stiletto base design is exclusive to Fulkrum, and allows extra clearance for your feet movement. This standard base is moulded of fibre-filled nylon in black colour (100% recyclable).

Optional base of die-cast aluminium (100% recyclable) in a highly-polished finish.

Hooded dual-wheel castors in black nylon. Optional glides available in place of castors, for visitor or conference applications.



Lumbar Support Pad

Lumbar support can be conveniently adjusted by side knobs, without getting up from chair, to customize the exact support for various spinal shapes.

Armrests

2-way armrest adjusts for 6cm in depth, and swivel into 3 angular positions. Also available in a 3-way armrest with an additional adjustment for 10cm in height.

Moulded of polypropylene and fibre-filled nylon in black colour (100% recyclable).

Chair Mechanism

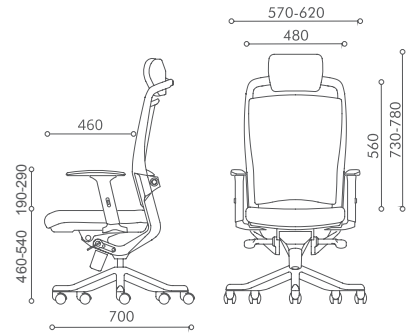
Synchro-Tilt chairs employ a synchronized mechanism with Tilt Tension Control, multi-position Tilt Lock, and pneumatic seat height control. Diecast aluminium and steel parts construction (100% recyclable).

Option for memory-return swivel column with fixed seat height, to leave a tidy, uniform chair arrangement in the conference room.

**Synchro-Tilt Ergonomic Chair
with 3-way adjustable armrest**

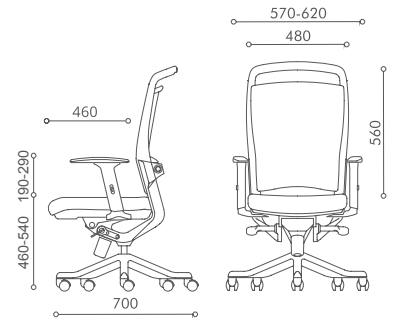
High Back

P069 YF B6S V



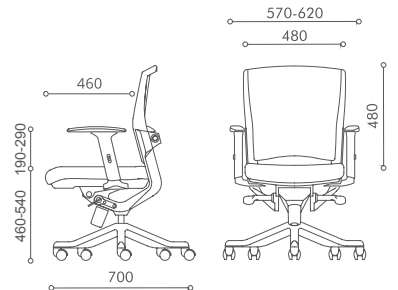
Mid Back

P068 YF B6S V



Low Back

P067 YF B6S V



Height Adjustable Headrest



Depth Adjustable Lumbar



Synchronized Mechanism



Pneumatic Seat Height Adjustable



Depth-Angle Adjustable Armpad
2-way adjustable armpad

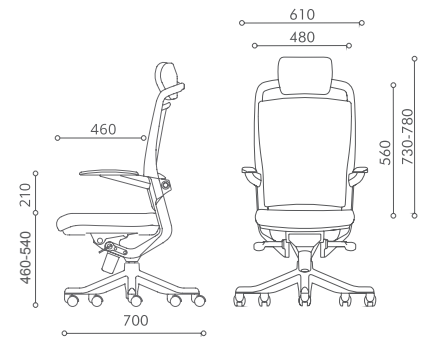


Height Adjustable Armrest

Synchro-Tilt Ergonomic Chair with 2-way adjustable Cantilever armrest

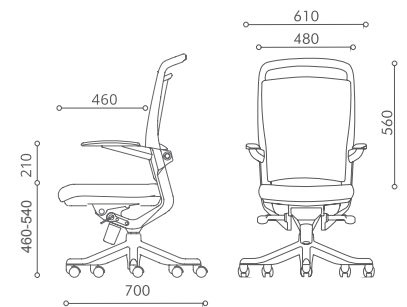
High Back

P069 YF B23 V



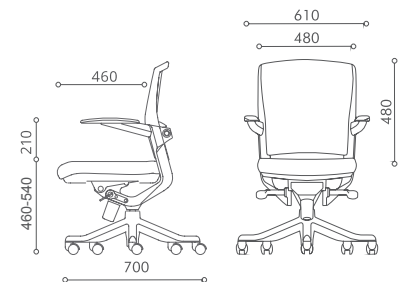
Mid Back


P068 YF B23 V




Low Back


P067 YF B23 V




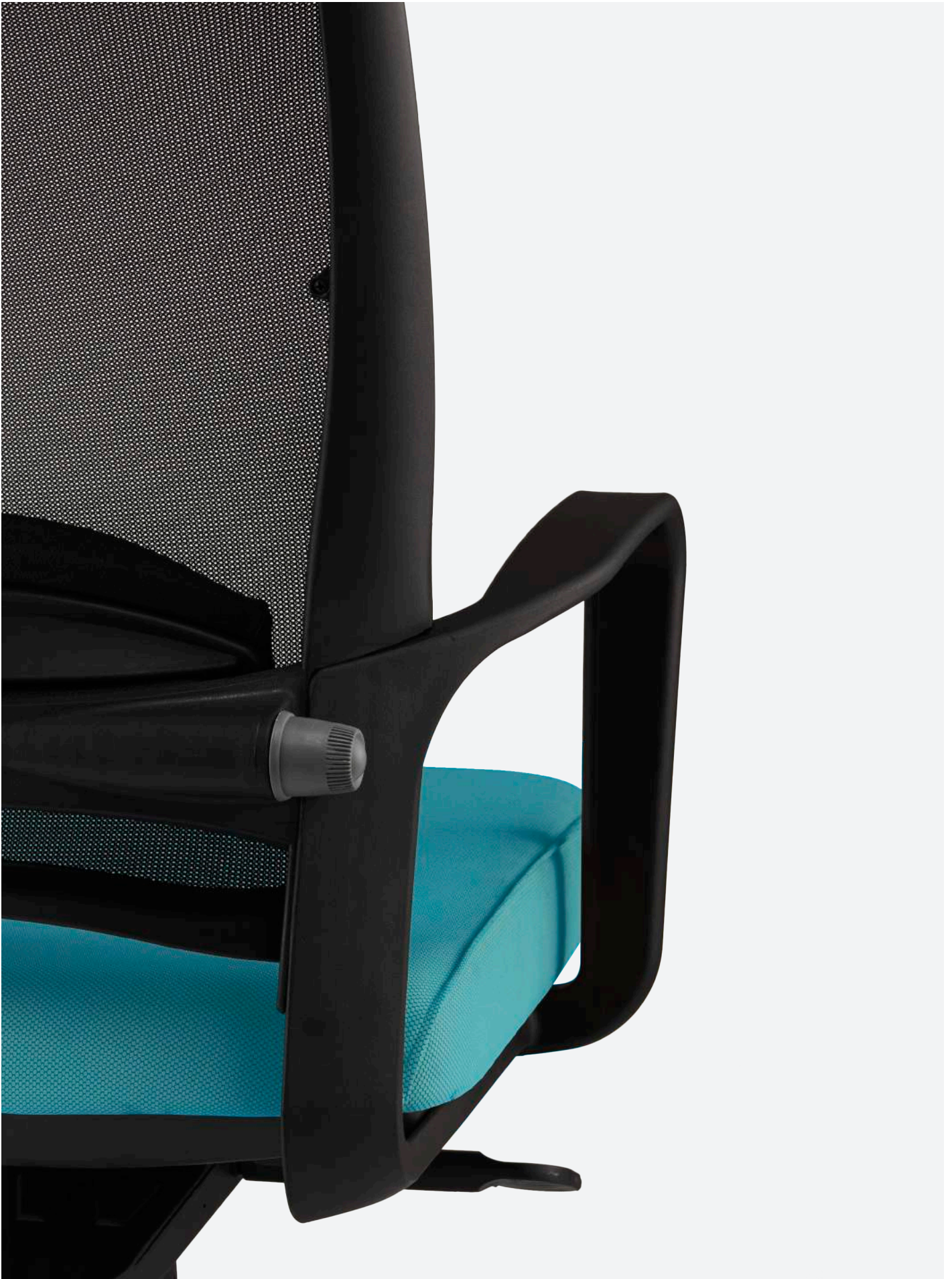
 Height Adjustable Headrest

 Depth Adjustable Lumbar

 Synchronized Mechanism

 Pneumatic Seat Height Adjustable

 Depth-Angle Adjustable Armpad
2-way adjustable armpad



FULKRUM

Swivel-Tilt Chairs

Headrest

Cushion Headrest, adjustable for 5cm in height. Headrest shells in black polypropylene (100% recyclable).

Lumbar Support Pad

Lumbar support can be conveniently adjusted by side knobs, without getting up from chair, to customize the exact support for various spinal shapes.

Base

Stiletto base design is exclusive to Fulkrum, and allows extra clearance for your feet movement. This standard base is moulded of fibre-filled nylon in black colour (100% recyclable).

Optional base of die-cast aluminium (100% recyclable) in a highly-polished finish.

Hooded dual-wheel castors in black nylon. Optional glides available in place of castors, for visitor or conference applications.



Backrest

A breathable polyester mesh suspension allows improved ventilation and transpiration, to provide exceptional thermal comfort. Backframe is moulded of resilient black polypropylene (100% recyclable).

Armrests

Loop armrest is moulded of resilient polypropylene (100% recyclable) to add some flexibility to the backrest for tilting motion.

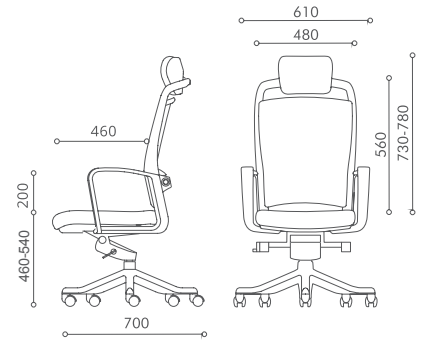
Chair Mechanism

Advanced Swivel-tilt chairs provide Tilt Tension Control, multi-position Tilt Lock, and pneumatic seat height control. Diecast aluminium and steel parts construction (100% recyclable).

Option for memory-return swivel column with fixed seat height, to leave a tidy, uniform chair arrangement in the conference room.

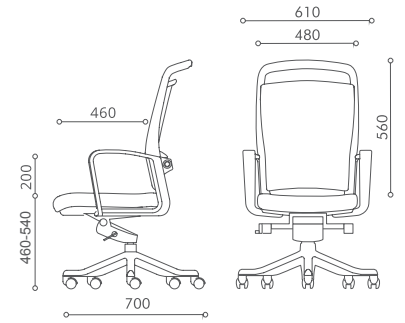
**Advanced Swivel-Tilt Chair
with Multi-position Lock**

High Back
P069 KD A34 V



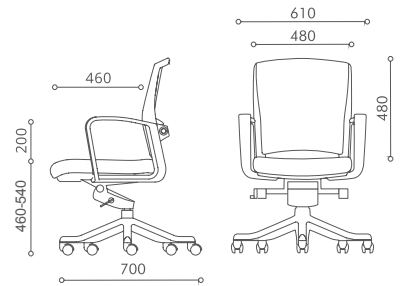
Mid Back

P068 KD A34 V



Low Back

P067 KD A34 V



Height Adjustable
Headrest



Depth Adjustable
Lumbar



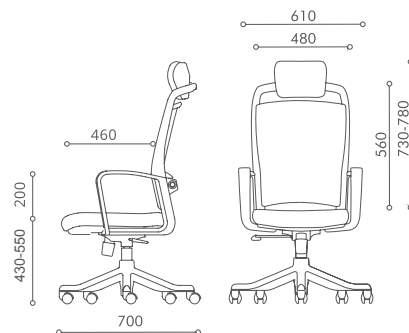
Advanced Tilt
Mechanism



Pneumatic Seat
Height Adjustable

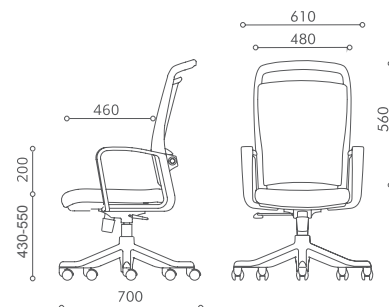
Basic Swivel-Tilt Chair with Upright Lock

High Back
P069 SH A34 V



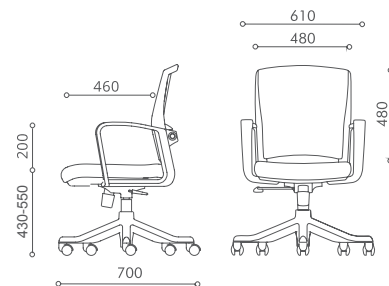
Mid Back

P068 SH A34 V



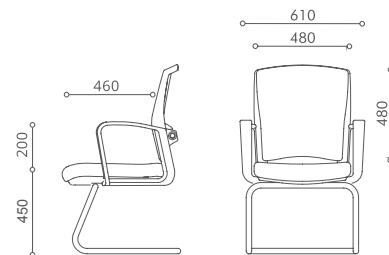
Low Back

P067 SH A34 V



Visitor Chair

P061 NA A34 S



Height Adjustable Headrest



Depth Adjustable Lumbar



Basic Tilt Mechanism



Pneumatic Seat Height Adjustable



FULKRUM

Auto Tilt Tension Chair

Headrest

Cushion Headrest, adjustable for 5cm in height. Headrest shells in black polypropylene (100% recyclable).

Backrest

A breathable polyester mesh suspension allows improved ventilation and transpiration, to provide exceptional thermal comfort. Backframe is moulded of resilient black polypropylene (100% recyclable).

Backbone

Backbone is moulded of fibre-filled nylon (100% recyclable) in charcoal colour.

Base

Stiletto base design is exclusive to Fulkrum, and allows extra clearance for your feet movement. This standard base is moulded of fibre-filled nylon in black colour (100% recyclable).

Optional base of die-cast aluminium (100% recyclable) in a highly-polished finish.

Hooded dual-wheel castors in black nylon. Optional glides available in place of castors, for visitor or conference applications.



Lumbar Support Pad

Lumbar support can be conveniently adjusted by side knobs, without getting up from chair, to customize the exact support for various spinal shapes.

Armrests

3-way armrest adjusts for 10cm in height, 6cm in depth, and swivel into 3 angular positions.

Moulded of polypropylene and fibre-filled nylon in black colour (100% recyclable).

Seat

Seat is adjustable for 6cm in depth. Shells are moulded of polypropylene (100% recyclable) in black colour.

Chair Mechanism

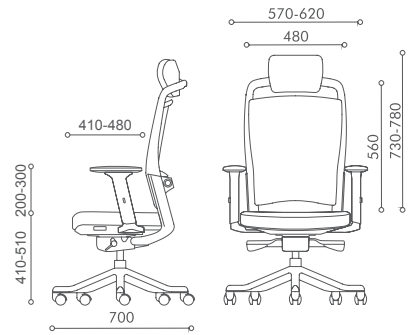
Auto Tilt-Tension mechanism self adjusts recline force to user's weight and offers multi-position Tilt Lock and pneumatic seat height control. Diecast aluminium and steel parts construction (100% recyclable).

Option for memory-return swivel column with fixed seat height, to leave a tidy, uniform chair arrangement in the conference room.

**Auto-Tilt Tension Chair
with 3-way adjustable armrest**

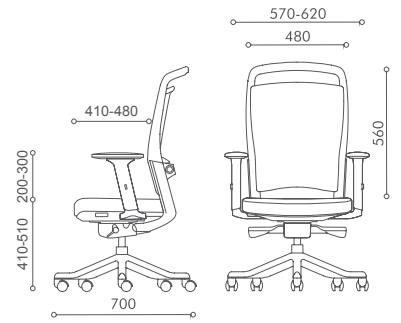
High Back

P069 YM A78 V



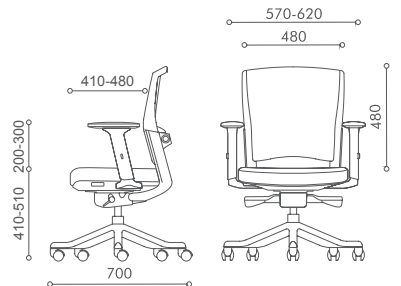
Mid Back

P068 YM A78 V



Low Back

P067 YM A78 V



Height Adjustable Headrest



Depth Adjustable Lumbar



Synchronized Mechanism



Pneumatic Seat Height Adjustable



Depth-Angle Adjustable Armpad
2-way adjustable armpad



Height Adjustable Armrest

Fulkrum: Options Armrest



2-way Adjustable
Armrest
(B23)



3-way Adjustable
Armrest
(B6S)



Loop Armrest
(A34)



3-way Adjustable
Armrest
(A78)

Mechanism



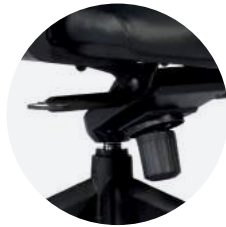
Auto Tension
Tilt Mechanism
(YM)



Synchronized
Tilt Mechanism
(YF)



Advanced Knee
Tilt Mechanism
(KD)



Knee Tilt
Mechanism
(KT)



Spring Head
Mechanism
(SH)

Backbone



Aluminium backbone
in silver epoxy
powder coating



Aluminium backbone
in polished finished

Base



350 Stiletto Base
(V)



Aluminium base in
polished finished
(VP/B/W)



Cantilever Base
(Silver)
(S)

Clients General Trading

Hawally AL Muthanna Street
Al-Badry complex
7th floor, Office # 19

Tel No. : 00965 2261 3160
Fax No. : 00965 2262 7963
E-mail : info@clients-kw.com

